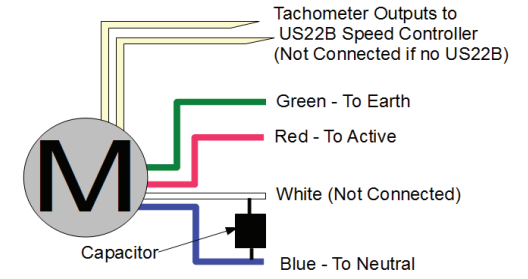
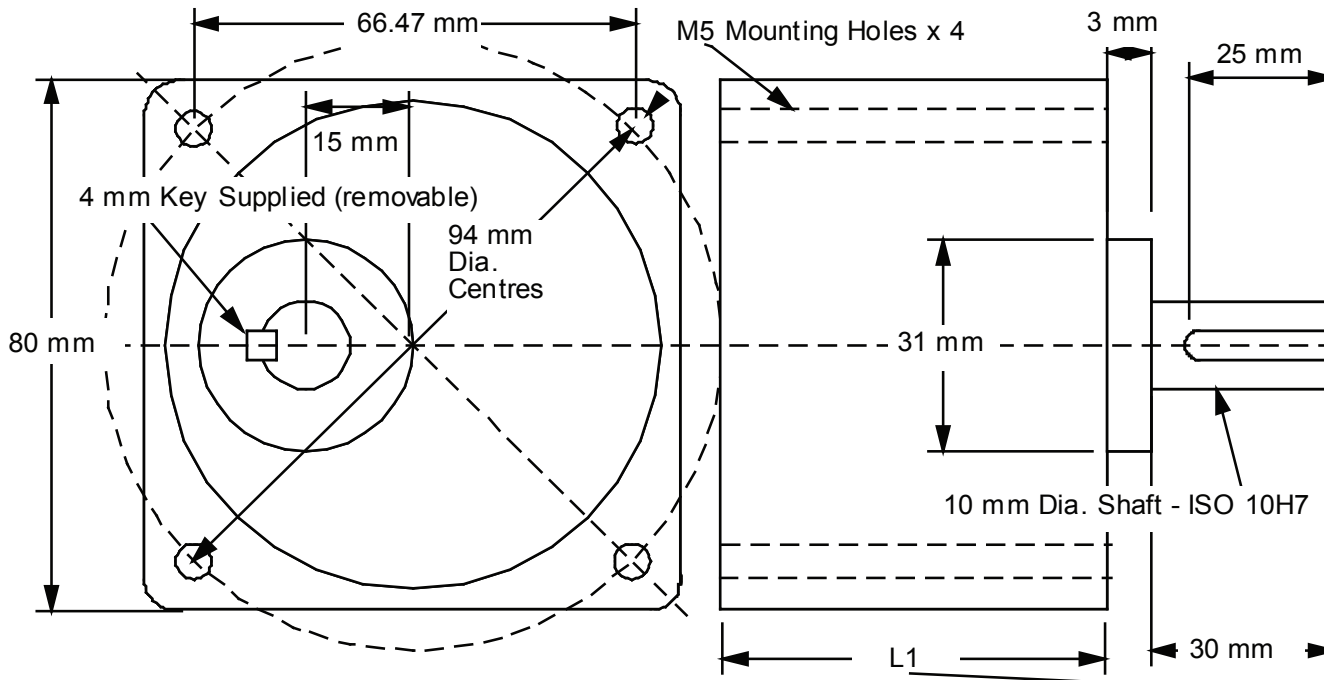


Operating Voltage: 220-240 VAC 50/60 Hz
Configuration: Single Phase, 4 Pole
Synchronous Speed: 1500 RPM
Speed with slip: 1440 RPM
Output Power: 25 Watts (1/30 Horsepower) Continuous
Current: 0.35 Amps (350mA)
Start/Run Capacitor: 1.5uF (Supplied)
Construction: Steel & Aluminium
Bearings: Ball & Roller
Gears: All Steel
Nominal Weight : ~ 2.6 kg Net

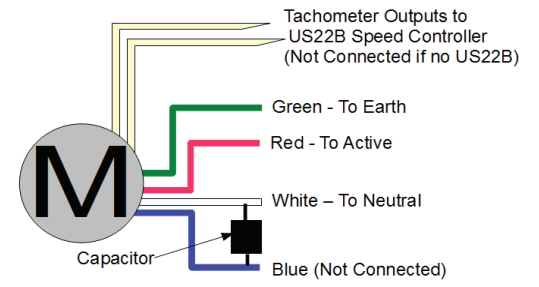
Reduction Ratio 4GNxxK	5	10	12.5	18	25	40	50	75	100	150	200
Slipped Output Speed (1440 RPM Motor)	288	144	115.2	80	57.6	36	28.8	19.2	14.4	9.6	7.2
Output Torque	N.m	0.81	1.9	2	2.9	3.7	5.9	6.6	8	8	8
	Kgf.cm	8.26	20	20.4	29.6	37.7	60.2	67.3	81.58	81.58	81.58

AC4IK25RGN Speed Controllable & Reversible Geared Induction Motor

Note: For overall Gearmotor Length, add L1 to 96mm



Connection for CCW Motor Rotation
 Note: The Gearhead ratios from 12.5 to 18 and 90 to 200 yield an opposite rotation on the output shaft.



Connection for CW Motor Rotation
 Note: The Gearhead ratios from 12.5 to 18 and 90 to 200 yield an opposite rotation on the output shaft.

L1 for 4GN 3K to 18K : **32 mm**
 L1 for 4GN 25K to 200K : **42.5 mm**

